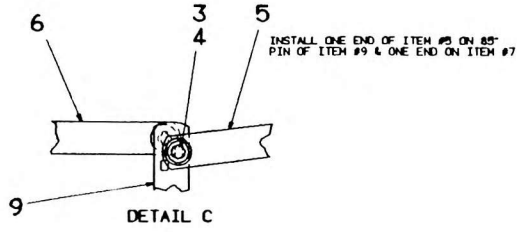
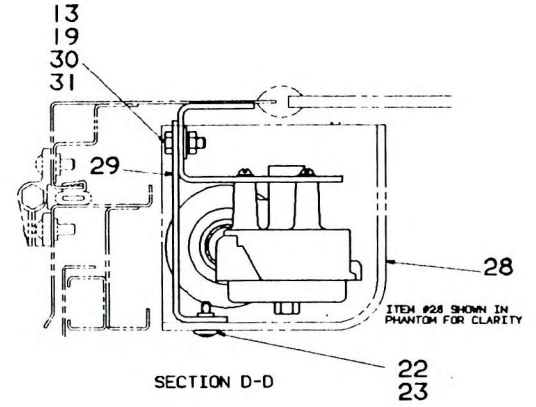


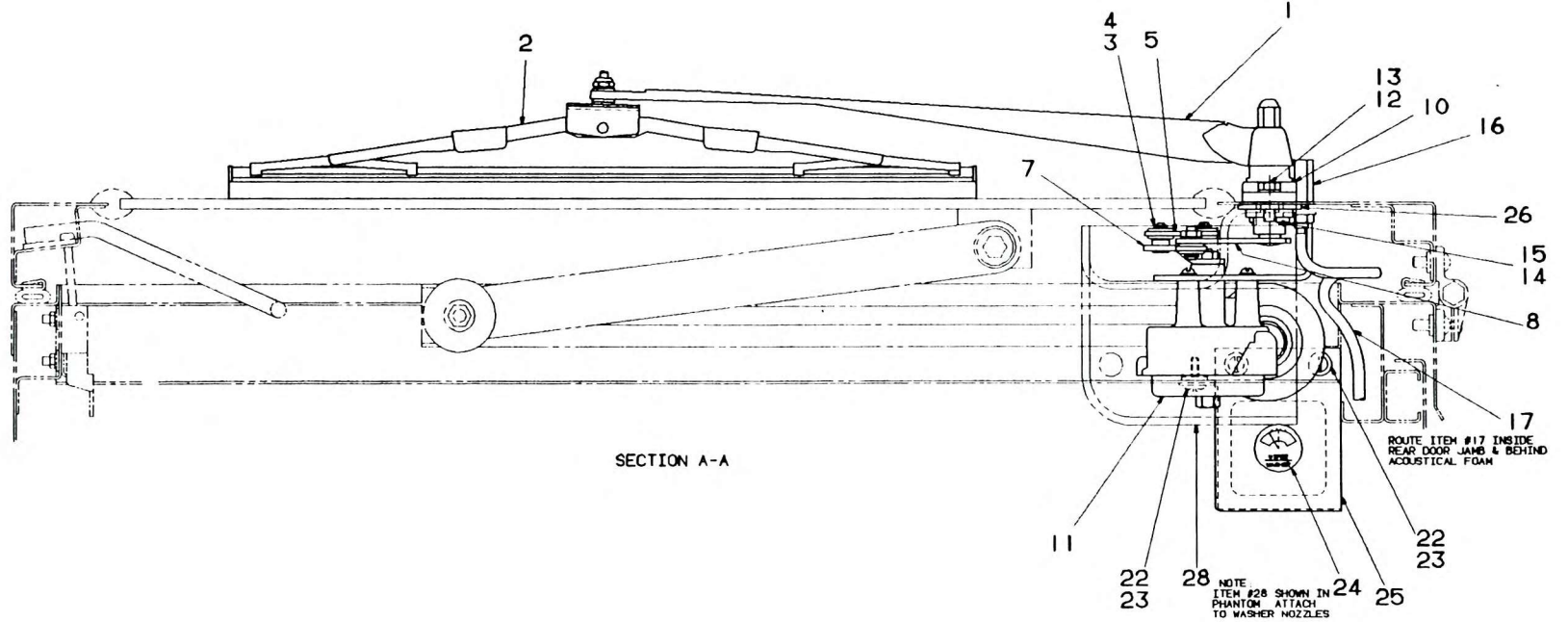
SECTION B-B



DETAIL C



SECTION D-D



SECTION A-A

NOTE
ITEM #28 SHOWN IN
PHANTOM ATTACH
TO WASHER NOZZLES

ROUTE ITEM #17 INSIDE
REAR DOOR JAMB & BEHIND
ACOUSTICAL FOAM